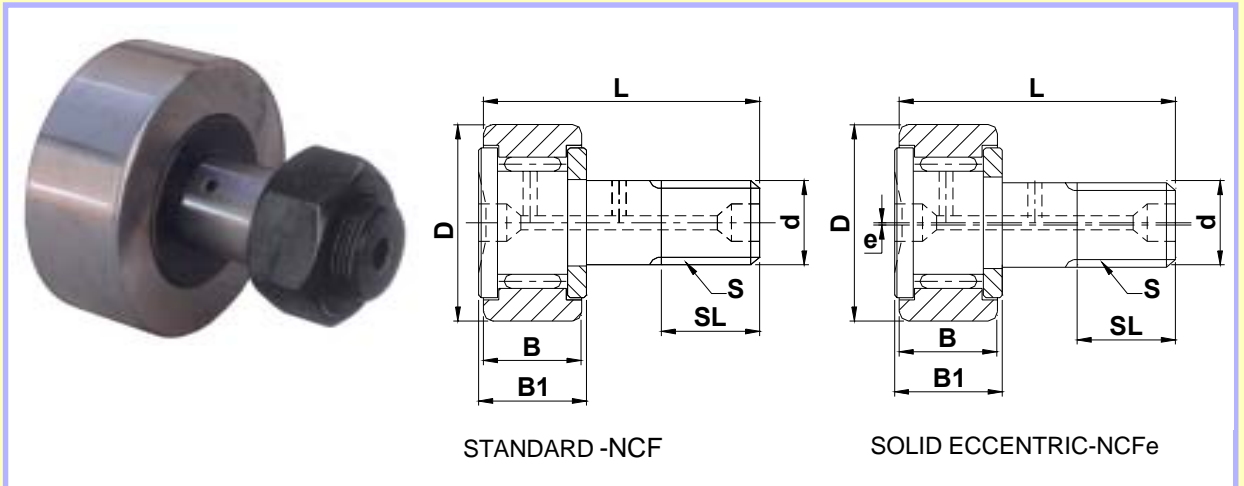


# CAM FOLLOWER / TRACK ROLLER

(STUD TYPE BEARING Model NCF, NCFe)



Model No	DIMESNIONS							Eccen- tricity	Load Rating in Newtons	
	dh7	Dh5	B	B1	L	SL	Thread S		Dynamic	Static
NCF22	10	22	12	13	36	13	M10x1.25	0.30	7850	10400
NCF26	10	26	12	13	36	13	M10x1.25	0.30	7850	10400
NCF30	12	30	14	15	40	14	M12x1.5	0.40	11080	15300
NCF32	12	32	14	15	40	14	M12x1.5	0.40	11080	15300
NCF35	16	35	18	19.5	52	18	M16x1.5	0.50	16970	28500
NCF40	18	40	20	21.5	58	19	M18x1.5	0.60	19420	32200
NCF47	20	47	24	25.5	66	21	M20x1.5	0.70	25690	46700
NCF52	20	52	24	25.5	66	21	M20x1.5	0.70	25690	46700
NCF62	24	62	29	30.5	80	25	M24x1.5	0.80	38840	65400
NCF72	24	72	29	30.5	80	25	M24x1.5	0.80	38840	65400
NCF80	30	80	35	37	100	32	M30x1.5	1.0	64140	102300
NCF85	30	85	35	37	100	32	M30x1.5	1.0	64140	102300
NCF90	30	90	35	37	100	32	M30x1.5	1.0	64140	102300

Series NCF.....

- ..S - Sealed, full complement.
- ..X - Hexagonal Hole
- ..B - Eccentric bush

All Dimensions are in m.m.  
Dimensions/Design subject to modifications.  
Other sizes on request.

We manufacture in INCH Series,also.

