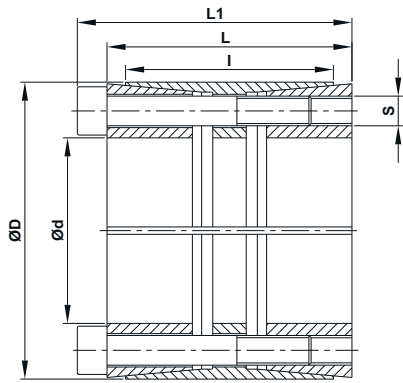


## Locking Assembly Model N 7016.1



- d = Inner diameter  
 D = Outer diameter  
 L1 = Overall width with screws  
 L = Overall width without screws  
 l = Clamping length  
 S = Clamping thread  
 Ma = Tightening torque of the screws  
 Mt = Transmissible torque at given Ma  
 P' = Surface pressure on shaft at given Ma  
 P = Surface pressure on hub at given Ma  
 Pax = Axial Thrust  
 W = Weight

d x D mm	l mm	L mm	L1 mm	Transmissible Torque Nm (Mt)	Axial Thrust KN (Pax)	Surface Pressure on		DIN912 12.9 No. x size(s) x Lb	Tightening Screws Tightening Torque Nm (Ma)	Weight Kg (W)
						Shaft N/mm2 P'	Hub N/mm2 P			
24 x 55	32	40	46	800	67	308	134	6 x M6 x 35	17	0.4
25 x 55	32	40	46	840	67	295	134	6 x M6 x 35	17	0.4
28 x 55	32	40	46	940	67	264	134	6 x M6 x 35	17	0.4
30 x 55	32	40	46	1000	67	246	134	6 x M6 x 35	17	0.4
32 x 60	44	54	60	1200	78	190	101	7 x M6 x 45	17	0.6
35 x 60	44	54	60	1400	78	174	101	7 x M6 x 45	17	0.6
38 x 75	44	54	62	2700	144	296	150	7 x M8 x 50	41	1
40 x 75	44	54	62	2900	144	281	150	7 x M8 x 50	41	1
42 x 75	44	54	62	3000	144	268	150	7 x M8 x 50	41	1
45 x 75	44	54	62	3200	144	250	150	7 x M8 x 50	41	0.9
48 x 80	56	66	74	4000	165	207	124	8 x M8 x 55	41	1.3
50 x 80	56	66	74	4100	165	198	124	8 x M8 x 55	41	1.2
55 x 85	56	66	74	5100	185	203	131	9 x M8 x 55	41	1.3
60 x 90	56	66	74	6200	206	207	138	10 x M8 x 55	41	1.4
65 x 95	56	66	74	6700	206	191	131	10 x M8 x 55	41	1.5
70 x 110	70	80	90	11800	338	229	145	10 x M10 x 60	83	2.8
75 x 115	70	80	90	12700	338	213	139	10 x M10 x 60	83	3
80 x 120	70	80	90	14900	372	220	147	11 x M10 x 60	83	3.1
85 x 125	70	80	90	15800	372	207	141	11 x M10 x 60	83	3.3
90 x 130	70	80	90	18200	405	213	148	12 x M10 x 60	83	3.5
95 x 135	70	80	90	19300	405	202	142	12 x M10 x 60	83	3.6
100 x 145	90	102	114	27700	555	210	145	11 x M12 x 80	145	5.6
110 x 155	90	102	114	33300	605	209	148	12 x M12 x 80	145	6.1
120 x 165	90	102	114	42400	706	223	162	14 x M12 x 80	145	6.5
130 x 180	104	116	130	53700	826	201	145	12 x M14 x 90	230	9
140 x 190	104	116	130	67400	963	217	160	14 x M14 x 90	230	9.5
150 x 200	104	116	130	77400	1030	217	163	15 x M14 x 90	230	10.1
160 x 210	104	116	130	88100	1100	217	166	16 x M14 x 90	230	10.6
170 x 225	134	149	165	111000	1310	186	141	14 x M16 x 110	355	16.1
180 x 235	134	149	165	126000	1410	188	144	15 x M16 x 110	355	16.9
190 x 250	134	149	165	142000	1500	190	145	16 x M16 x 110	355	19.6
200 x 260	134	149	165	150000	1500	181	139	16 x M16 x 110	355	20.5
220 x 285	134	150	166	185000	1690	185	143	18 x M16 x 110	355	24.5
240 x 305	134	150	166	225000	1870	188	148	20 x M16 x 110	355	26.5
260 x 325	134	150	166	256000	1970	182	146	21 x M16 x 110	355	28.5
280 x 355	165	177	197	370000	2640	190	150	18 x M20 x 130	690	42.5
300 x 375	165	177	197	440000	2940	197	157	20 x M20 x 130	690	46.5
320 x 405	165	177	197	493000	3080	194	153	21 x M20 x 130	690	56
340 x 425	165	177	197	549000	3230	191	153	22 x M20 x 130	690	59.5
360 x 455	190	203	225	680000	3780	183	145	21 x M22 x 150	930	80
380 x 475	190	203	225	752000	3960	182	145	22 x M22 x 150	930	84.5
400 x 495	190	203	225	864000	4320	188	152	24 x M22 x 150	930	88
420 x 515	190	203	225	907000	4320	179	146	24 x M22 x 150	930	92
440 x 535	190	203	225	950000	4320	171	141	24 x M22 x 150	930	96
460 x 555	190	203	225	993000	4320	164	136	24 x M22 x 150	930	100.5
480 x 575	190	203	225	1209000	5040	183	153	28 x M22 x 150	930	103
500 x 595	190	203	225	1260000	5040	176	148	28 x M22 x 150	930	107.5