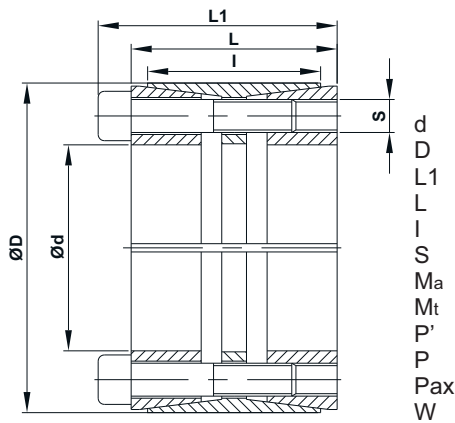


Locking Assembly Model N 7515



d = Inner diameter
 D = Outer diameter
 L1 = Overall width with screws
 L = Overall width without screws
 l = Clamping length
 S = Clamping thread
 Ma = Tightening torque of the screws
 Mt = Transmissible torque at given Ma
 P' = Surface pressure on shaft at given Ma
 P = Surface pressure on hub at given Ma
 Pax = Axial Thrust
 W = Weight

d x D mm	l mm	L mm	L1 mm	Transmissible Torque Nm (Mt)	Axial Thrust KN (Pax)	Surface Pressure on		Tightening Screws DIN912 12.9 No. x size(s) x Lb	Tightening Torque Nm (Ma)	Weight Kg (W)
						Shaft N/mm2 P'	Hub N/mm2 P			
60 x 95	42	50	58	4299	143	186	118	9 x M8 x 40	41	1.48
70 x 110	50	60	70	7280	208	197	125	8 x M10 x 50	83	2.7
80 x 120	50	60	70	10399	260	216	144	10 x M10 x 50	83	2.7
90 x 130	50	60	70	12869	286	211	146	11 x M10 x 50	83	2.9
100 x 145	60	70	82	18881	378	209	144	10 x M12 x 60	145	4.3
110 x 155	60	70	82	20769	378	190	135	10 x M12 x 60	145	4.7
120 x 165	60	70	82	24923	415	191	139	11 x M12 x 60	145	5
130 x 180	65	79	91	34364	529	207	150	14 x M12 x 70	145	6.6
140 x 190	65	79	91	39651	566	206	152	15 x M12 x 70	145	7
150 x 200	65	79	91	42483	566	193	144	15 x M12 x 70	145	7.1
160 x 210	65	79	91	48336	604	193	147	16 x M12 x 70	145	7.9
170 x 225	78	92	106	65790	774	195	147	15 x M14 x 80	230	11.1
180 x 235	78	92	106	69660	774	184	141	15 x M14 x 80	230	11.6
190 x 250	88	102	116	78432	826	165	125	16 x M14 x 80	230	14.8
200 x 260	88	102	116	92880	929	176	135	18 x M14 x 80	230	15.4
220 x 285	96	110	126	116459	1059	173	133	15 x M16 x 90	355	19.7
240 x 305	96	108	124	169394	1412	211	166	20 x M16 x 90	355	21.2
260 x 325	96	111	127	183510	1412	176	141	20 x M16 x 90	355	22.9
280 x 355	96	111	131	230199	1644	205	162	15 x M20 x 90	690	28.9
300 x 375	96	111	131	263085	1754	204	163	16 x M20 x 90	690	30.6
320 x 405	124	136	156	350780	2192	189	150	20 x M20 x 110	690	46.3
340 x 425	124	136	156	372704	2192	178	143	20 x M20 x 110	690	48.9
360 x 455	140	155	175	487557	2709	174	137	20 x M22 x 130	930	67.5
380 x 475	140	155	175	514644	2709	164	132	20 x M22 x 130	930	69.5
400 x 495	140	155	175	595903	2980	172	139	22 x M22 x 130	930	72.7
420 x 515	140	155	175	682580	3250	179	146	24 x M22 x 130	930	75.9
440 x 535	140	155	175	715084	3250	170	140	24 x M22 x 130	930	79.2
460 x 555	140	155	175	747588	3250	163	135	24 x M22 x 130	930	83
480 x 575	140	155	175	812595	3386	163	136	25 x M22 x 130	930	86
500 x 595	140	155	175	846453	3386	156	131	25 x M22 x 130	930	90