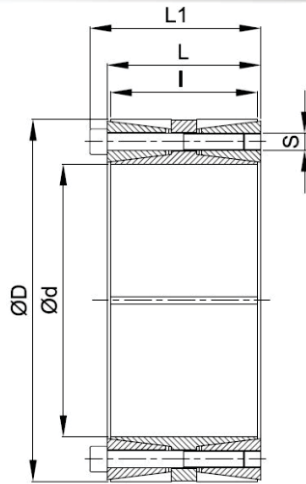


## Locking Assembly Model N 7015.0



d	=Inner diameter
D	=Outer diameter
L1	=Overall width with screws
L	=Overall width without screws
l	=Clamping length
S	=Clamping thread
Ma	=Reduced tightening torque of the screws under bending load
Mt without Mb	=Transmissible torque at given Ma without bending moment
P'	=Surface pressure on shaft at given Ma without bending moment
P	=Surface pressure on hub at given Ma without bending moment
Mb max.	=Max. bending moment
Pax.at Mb max.	=Max. Axial Thrust at max. bending moment
W	=Weight

d x D mm	l mm	L mm	L1 mm	Tightening screws		Transmitting Torque Nm (Mt)	Axial Thrust KN (Pax)	Mbmax. Nm	Surface pressure on		Weight Kg (W)
				DIN 912 12.9 No. x size(s) x Lb	Tightening Torque Nm (Ma)				Shaft N/mm <sup>2</sup> P'	Hub N/mm <sup>2</sup> P	
100 x 145	60	65	77	10 x M12 x 55	115	11297	29	11200	157	108	4.1
110 x 155	60	65	77	10 x M12 x 55	115	12426	32	12300	142	101	4.4
120 x 165	60	65	77	12 x M12 x 55	115	16267	39	16100	157	114	4.8
130 x 180	68	74	86	15 x M12 x 60	115	22028	37	21900	156	113	6.5
140 x 190	68	74	86	18 x M12 x 60	115	28468	265	21600	174	128	7
150 x 200	68	74	86	18 x M12 x 60	115	30501	47	30300	163	122	7.4
160 x 210	68	74	86	21 x M12 x 60	115	37957	382	22500	178	136	7.8
170 x 225	75	81	95	18 x M14 x 65	185	47955	406	33300	179	135	10
180 x 235	75	81	95	18 x M14 x 65	185	50776	110	49800	169	129	10.6
190 x 250	88	94	108	20 x M14 x 75	185	59552	128	58300	149	113	14.3
200 x 260	88	94	108	24 x M14 x 75	185	75224	686	30900	170	131	15
220 x 285	98	104	120	18 x M16 x 90	285	84791	83	84300	152	117	19.8
240 x 305	98	104	120	24 x M16 x 90	285	123332	930	52500	186	146	21.4
260 x 325	98	104	120	25 x M16 x 90	285	139176	993	51900	178	143	23
280 x 355	120	126	144	24 x M18 x 110	390	174092	868	124600	161	127	35.2
300 x 375	120	126	144	25 x M18 x 110	390	194299	904	139200	157	125	37.4
320 x 405	135	142	162	25 x M20 x 120	550	265703	1269	171300	159	125	51.3
340 x 425	135	142	162	25 x M20 x 120	550	282310	965	229800	149	120	54.1
360 x 455	158	165	187	25 x M22 x 130	745	371148	1249	295300	149	118	75.4
380 x 475	158	165	187	25 x M22 x 130	745	391767	206	389800	141	113	79
400 x 495	158	165	187	25 x M22 x 130	745	412387	207	410300	134	108	82.8
420 x 515	158	165	187	30 x M22 x 130	745	519607	1981	311300	153	125	86.5
440 x 545	172	180	204	30 x M24 x 150	960	639702	2205	417000	154	124	110
460 x 565	172	180	204	30 x M24 x 150	960	668779	1998	485800	147	120	114
480 x 585	172	180	204	32 x M24 x 150	960	744381	2483	446100	150	123	119