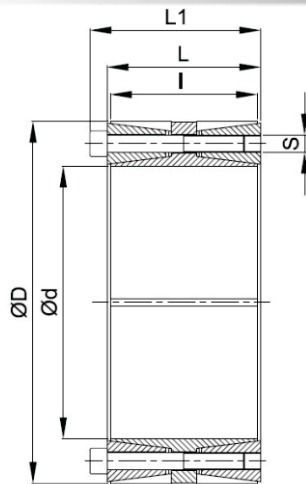


Locking Assembly Model N 7015.1



d	=Inner diameter
D	=Outer diameter
L1	=Overall width screws
L	=Overall width without screws
l	=Clamping length
S	=Clamping thread
M_a	=Reduced tightening torque of the screws under bending load
M_t without M_b	=Transmissible torque at given M_a without bending moment
P'	=Surface pressure on shaft at given M_a without bending moment
P	=Surface pressure on hub at given M_a without bending moment
M_b max.	=Max. bending moment
P_{ax} at M_b max.	=Max. Axial Thrust at max. bending moment
W	=Weight

d x D mm	l mm	L mm	L1 mm	Tightening screws		Transmitting Torque Nm (Mt)	Axial Thrust KN (Pax)	Mbmax. Nm	Surface pressure on		Weight Kg (W)
				DIN 912 12.9 No. x size(s) x L _b	Tightening Torque Nm (Ma)				Shaft N/mm ² P'	Hub N/mm ² P	
100 x 145	60	65	75	9 x M10 x 55	83	6575	14	6540	91	63	4.1
110 x 155	60	65	75	10 x M10 x 55	83	8037	27	7900	92	65	4.4
120 x 165	60	65	75	12 x M10 x 55	83	10521	19	10460	101	74	4.8
130 x 180	68	74	84	15 x M10 x 60	83	14247	23	14170	101	73	6.5
140 x 190	68	74	84	15 x M10 x 60	83	15343	23	15260	94	69	7
150 x 200	68	74	84	16 x M10 x 60	83	17534	24	17440	94	70	7.4
160 x 210	68	74	84	18 x M10 x 60	83	21041	27	20930	99	75	7.8
170 x 225	75	81	93	15 x M12 x 65	145	27352	33	27210	105	80	10
180 x 235	75	81	93	16 x M12 x 65	145	30892	35	30730	106	81	10.6
190 x 250	88	94	106	18 x M12 x 75	145	36684	39	36500	96	73	14.3
200 x 260	88	94	106	20 x M12 x 75	145	42906	43	42690	101	78	15
220 x 285	98	104	116	21 x M12 x 80	145	49556	46	49300	89	69	19.8
240 x 305	98	104	116	24 x M12 x 80	145	61784	52	61470	93	73	21.4
260 x 325	98	104	116	27 x M12 x 80	145	75300	58	74920	97	77	23
280 x 355	120	126	140	28 x M14 x 100	230	115034	83	114450	106	84	35.2
300 x 375	120	126	140	28 x M14 x 100	230	123250	82	122630	99	80	37.4
320 x 405	135	142	158	28 x M16 x 110	355	179962	113	179050	110	87	51.3
340 x 425	135	142	158	28 x M16 x 110	355	191209	113	190250	103	83	54.1
360 x 455	158	165	183	24 x M18 x 140	485	209622	117	208570	84	67	75.4
380 x 475	158	165	183	27 x M18 x 140	485	248927	131	247670	90	72	79
400 x 495	158	165	183	32 x M18 x 140	485	310552	156	308990	101	82	82.8
420 x 515	158	165	183	32 x M18 x 140	485	326079	155	324440	96	78	86.5
440 x 545	172	180	200	27 x M20 x 140	690	372775	170	370900	91	74	110
460 x 565	172	180	200	27 x M20 x 140	690	389719	170	387760	87	71	114
480 x 585	172	180	200	30 x M20 x 140	690	451848	192	449500	93	76	119