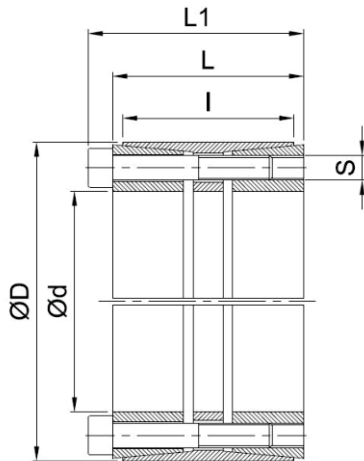


Locking Assembly Model N 7515



d = Inner diameter
 D = Outer diameter
 $L1$ = Overall width screws
 L = Overall width without screws
 I = Clamping length
 S = Clamping thread
 Ma = Reduced tightening torque of the screws under bending load
 Mt without Mb = Transmissible torque at given Ma without bending moment
 P' = Surface pressure on shaft at given Ma without bending moment
 P = Surface pressure on hub at given Ma without bending moment
 Mb max. = Max. bending moment
 Pax at Mb max. = Max. Axial Thrust at max. bending moment
 W = Weight

d x D mm	I mm	L mm	L1 mm	Tightening screws		Transmitting Torque Nm (Mt)	Axial Thrust KN (Pax)	Mbmax. Nm	Surface pressure on		Weight Kg (W)
				DIN 912 12.9 No. x size(s) x Lb	Tightening Torque Nm (Ma)				Shaft N/mm ² P'	Hub N/mm ² P	
60 x 95	42	50	58	8 x M8 x 40	41	4299	109	2800	186	118	1.5
70 x 110	50	60	70	8 x M10 x 50	83	7280	150	5040	197	125	2.7
80 x 120	50	60	70	10 x M10 x 50	83	10399	187	7210	216	144	2.7
90 x 130	50	60	70	11 x M10 x 50	83	12869	207	8890	211	146	2.9
100 x 145	60	70	82	10 x M12 x 60	145	18881	319	10080	209	144	4.3
110 x 155	60	70	82	10 x M12 x 60	145	20769	320	11070	190	135	4.5
120 x 165	60	70	82	11 x M12 x 60	145	24923	338	14490	191	139	5
130 x 180	65	79	91	14 x M12 x 70	145	34364	433	19710	207	150	6.6
140 x 190	65	79	91	15 x M12 x 70	145	39651	494	19440	206	152	7
150 x 200	65	79	91	15 x M12 x 70	145	42483	434	27270	193	144	7.5
160 x 210	65	79	91	16 x M12 x 70	145	48336	538	22050	193	147	7.9
170 x 225	78	92	106	15 x M14 x 80	230	65790	683	30900	195	147	10.9
180 x 235	78	92	106	15 x M14 x 80	230	69660	593	44820	184	141	11.4
190 x 250	88	102	116	16 x M14 x 80	230	78432	594	54460	165	125	14.6
200 x 260	88	102	116	18 x M14 x 80	230	92880	836	40470	176	135	14.8
220 x 285	96	110	126	15 x M16 x 90	355	116459	803	75870	173	133	19.9
240 x 305	96	108	124	20 x M16 x 90	355	169394	1364	43460	211	166	21.5
260 x 325	96	111	127	20 x M16 x 90	355	183510	1313	67410	176	141	22.9
280 x 355	96	111	131	15 x M20 x 90	690	230199	1436	112140	205	162	33.1
300 x 375	96	111	131	16 x M20 x 90	690	263085	1542	125280	204	163	30.6
320 x 405	124	136	156	20 x M20 x 110	690	350780	1918	170050	189	150	46.3
340 x 425	124	136	156	20 x M20 x 110	690	372704	1824	206820	178	143	48.9
360 x 455	140	155	175	20 x M22 x 130	930	487557	2271	265770	174	137	66.2
380 x 475	140	155	175	20 x M22 x 130	930	514644	1982	350820	164	132	69.5
400 x 495	140	155	175	22 x M22 x 130	930	595903	2338	369270	172	139	73.4
420 x 515	140	155	175	24 x M22 x 130	930	682580	2950	286396	179	146	76.5
440 x 535	140	155	175	24 x M22 x 130	930	715084	2731	387810	170	140	80
460 x 555	140	155	175	24 x M22 x 130	930	747588	2549	463939	163	135	83
480 x 575	140	155	175	25 x M22 x 130	930	812595	2854	437178	163	136	86
500 x 595	140	155	175	25 x M22 x 130	930	846453	2900	436816	156	131	90